

TEM

OFFICE POWER SOLUTIONS

2026



Power your life

Contents

Flexible Sockets	1
U42 Power Strips	2-3
U52 Power Strips	4-5
U62 Power Strips	6-7
Column	8-9
Power Frame	10
Flip Power Frame	11
Push - Up Flip Power Frame -U100	12
Push - Up Flip Power Frame -U70	13
Horizontal Desk Socket	14
G70 Power Strip	15
O44 Power Strip	16
Cable Grommet	17
Multiple Embedded Sockets	17
Socket Boxes	18
Underfloor Enclosure	19
Embedded Sockets	20
Wireless Chargers	21
Pop-up Sockets	22

Contents

Industrial Solutions	23
1U Lighting	24-25
Linear Lighting	26
Socket Lighting	27
Wi-Fi Smart Sockets	28
USB Chargers	29
Protection Devices	30
Multimedia Sockets	31-34
On - Off Switches	35
Modular Sockets	36-38
45mm Sockets Types	39
Schuko Socket Type-F	40
Unischuko Socket	41
French Socket Type-E	42
British Socket Type-G	43
IEC C13 Socket	43

Flexible Sockets Product Examples



Double MCB Module
14002.0000.003



SPD EMI Filter Module
14014.0000.003



SPD with Switch Module
14015.0000.003



**Double USB Charger +
Schuko Socket Module**
14000.1020.0202.3



4 Schuko Socket Module
14000.1040.003



3 Schuko Socket + Switch Module
14003.1030.003



Female + Male Socket
3x1.5 mm² HO5VV-F - 3 m
725.3150.893



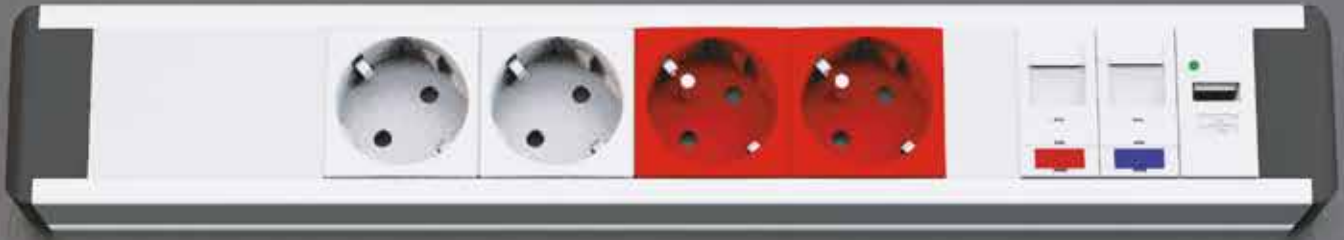
Female + Unischuko Socket
3x1.5 mm² HO5VV-F - 3 m
725.3150.913



Female + C14 Socket
3x1.5 mm² HO5VV-F - 3 m
725.3150.933

U42 Power Strips Product Overview

TEM office power strips are designed for modern workspaces that require reliable access to power, data and multimedia connections. With aluminium and plastic housing options, modular 45 mm components and customizable configurations, they provide flexible solutions for desks, meeting rooms, offices and commercial interiors.



Side Cover Options



Screwed Side Cover



Toolless Side Cover

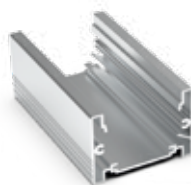
Double Housing Structure

The modular connectors can be mounted on or under the desk, providing convenient access to power, data and multimedia connections.

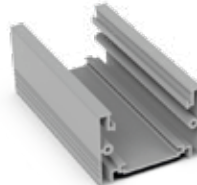


Different Types of Housing

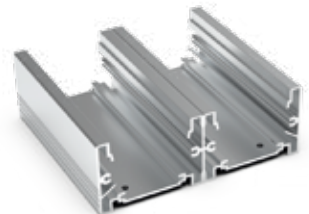
Our different housing types adapt to your design requirements.



Single Aluminium Housing



Single Plastic Housing



Double Aluminium Housing

U42 Power Strips Product Examples



**3 Schuko Socket + 3 Unischuko Socket
+ Cat 6 + Cat 3**

14200.1233.8711.0



**2 Schuko Socket + 3 Unischuko Socket
+ 2 Cat 6 + Cat 3**

14200.1223.8721.0



**3 Schuko Socket + 2 Unischuko Socket
+ Cat 6 + Cat 3**

14200.1232.8711.0



4 Schuko Socket + USB Charger

14200.1040.110



5 Schuko Socket + Double MCB

14202.1050.000



**2 Schuko Socket + Unischuko Socket
+ 2 Cat 6 + 2 Cat 3**

14200.1222.8722.0



**2 Schuko Socket + 2 Unischuko Socket
+ 2 Cat 6 + 2 Cat 3**

14200.1233.8711.0



**3 Schuko Socket + 2 Unischuko Socket
+ 2 Cat 6 + 1 Cat 3**

14200.1223.8721.0

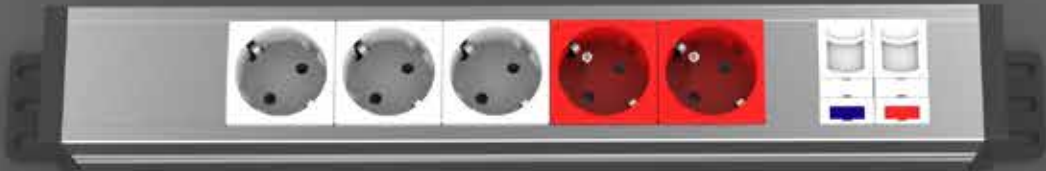


**3 Schuko Socket + 2 Unischuko Socket
+ 1 Cat 6 + 1 Cat 3**

14200.1232.8711.0

U52 Power Strips Product Overview

TEM office power strips are designed for modern workspaces that require reliable access to power, data and multimedia connections. With aluminium and plastic housing options, modular 45 mm components and customizable configurations, they provide flexible solutions for desks, meeting rooms, offices and commercial interiors.



Double Housing Structure

The modular connectors can be mounted on or under the desk, providing convenient access to power, data and multimedia connections.



Toolless Side Cover



Toolless Side Cover



Toolless Side Cover

U52 Power Strips Product Examples



**3 Schuko Socket + 2 Unischuko Socket
+ Cat 6 + Cat 3**
15200.1232.8711.0



**2 Schuko Socket + 2 Unischuko Socket
+ 2 Cat 6 + 2 Cat 3**
15200.1222.8722.0



**2 Schuko Socket + 2 Unischuko Socket
+ Cat 6 + Cat 3 + Double USB Charger**
15200.1222.872111.0



**2 Schuko Socket + 2 Unischuko Socket
+ 2 Cat 6 + Cat 3**
15200.1223.8721.0



**3 Schuko Socket + 2 Unischuko Socket
+ Cat 6 + Cat 3**
15200.1233.8711.0



**3 Schuko Socket + VGA + HDMI
+ USB Charger**
15200.1030.153111.0

U62 Power Strips Product Overview

TEM office power strips are designed for modern workspaces that require reliable access to power, data and multimedia connections. With aluminium and plastic housing options, modular 45 mm components and customizable configurations, they provide flexible solutions for desks, meeting rooms, offices and commercial interiors.

Din Rail



Metal Side Bracket



Metal Side Bracket 45°



Rack Mounting tool (Horizontal)



Rack Mounting tool (Vertical)



U62 Power Strips Product Examples



**3 Schuko Socket + 2 Unischuko Socket
+ 1 Cat 6 + 1 Cat 3**
16200.1232.8711.0



**2 Schuko Socket + 2 Unischuko Socket
+ 2 Cat 6 + 2 Cat 3**
16200.1222.8722.0



**2 Schuko Socket + 2 Unischuko Socket
+ Double USB Charger+ Cat 6 + Cat 3**
16200.1222.872111.0



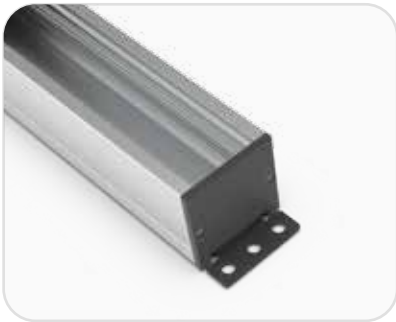
**3 Schuko Socket + 2 Unischuko Socket
+ 2 Cat 6 + 2 Cat 3**
16200.1223.8721.0



**3 Schuko Socket + 3 Unischuko Socket
+ 1 Cat 6 + 1 Cat 3**
16200.1233.8711.0



**3 Schuko Socket + USB Charger
+ 1 VGA + 1 HDMI**
16200.1030.153111.0



Empty Aluminium Housing

1620.0010.000	8 + 2 x 22.5	Light gray / Silver
1620.0012.000	10 + 2 x 22.5	Light gray / Silver
1620.0014.000	12 + 2 x 22.5	Light gray / Silver
1620.0016.000	14 + 2 x 22.5	Light gray / Silver
1620.0018.000	16 + 2 x 22.5	Light gray / Silver
1620.0020.000	18 + 2 x 22.5	Light gray / Silver

Column Product Overview

TEM column sockets are fixed easily and securely with their metal feet. It can be used in various areas such as offices, waiting areas, and in the residential areas.



Specialize the Place

It adapts to any area with its stylish design. Our products can be produced according to the height you want.



Ceiling Mounting Tool



Column Foot



Waiting Rooms

TEM column type sockets are very suitable for use in waiting rooms. With different modules, devices such as computers and mobile devices can be charged



H Column



U62 Single Column



U62 Double Column



Column Product Examples



**4 Schuko Socket +
4 Unischuko Socket
+ 2 Cat 6 + 2 Cat 3**
11400.1244.8722.0



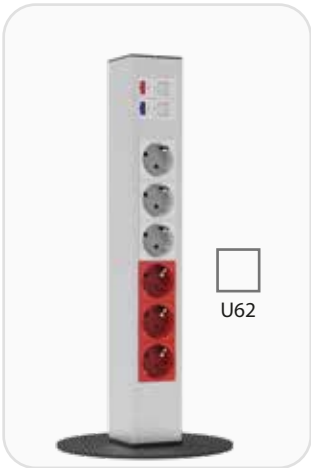
**4 Schuko Socket +
2 Double USB Charger
+ 4 Cat 6**
11400.1040.8142.0



**2 Schuko Socket +
2 Double USB Charger
+ 2 VGA + 2 HDMI**
11400.1020.135222.0



**4 Schuko Socket +
2 Double USB Charger**
11400 .1040.120



**3 Schuko Socket +
3 Unischuko Socket
+ 1 Cat 6 + 1 Cat 3**
1110.1233.8711.0



**4 Schuko Socket +
4 Unischuko Socket + 2 HDMI
+ 2 USB Charger + 2 RCA**
11000.1244.136222.0



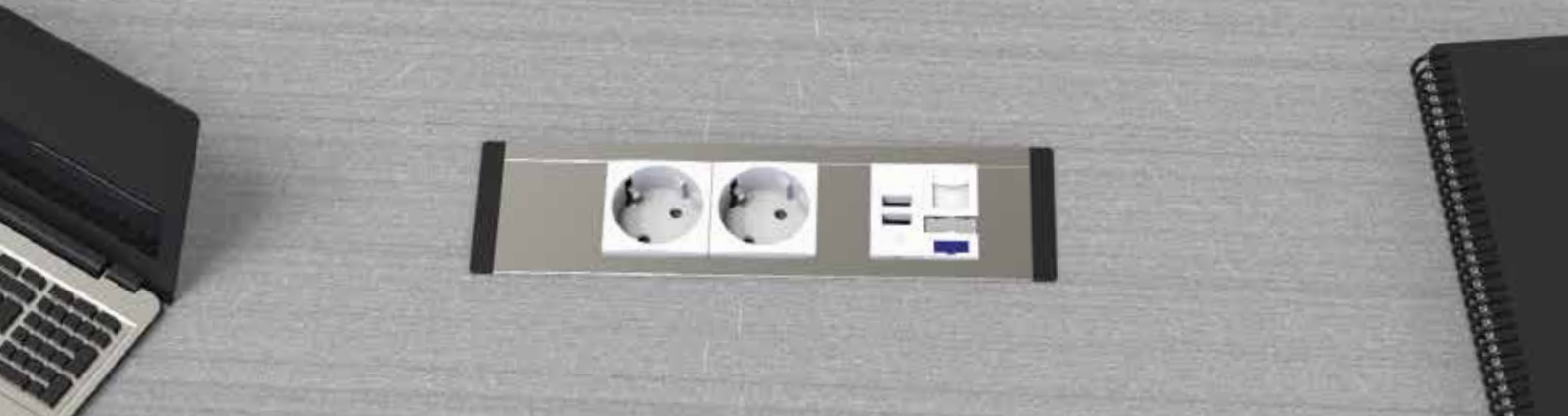
**2 Schuko Socket +
2 Unischuko Socket
+ 2 Cat 6**
1110.1222.8200.0



**4 Schuko Socket +
1 HDMI + 1 VGA**
1110.1040.3511.0

Power Frame Product Overview

Power Frame provides compact and elegant access to power, data and multimedia connections on modern work desks, meeting tables and shared workspaces. Its modular structure allows different socket and connector combinations according to project requirements.



2 Schuko Socket + USB Charger
17200.1020.110



3 UPS + 1 Cat 6 + 1 Cat 3
17200.2030.8711.0



2 British Socket + 1 USB Charger + VGA
17200.4020.1511.0



2 Schuko Socket + 2 UPS + 2 Cat 6
17200.1222.820.0

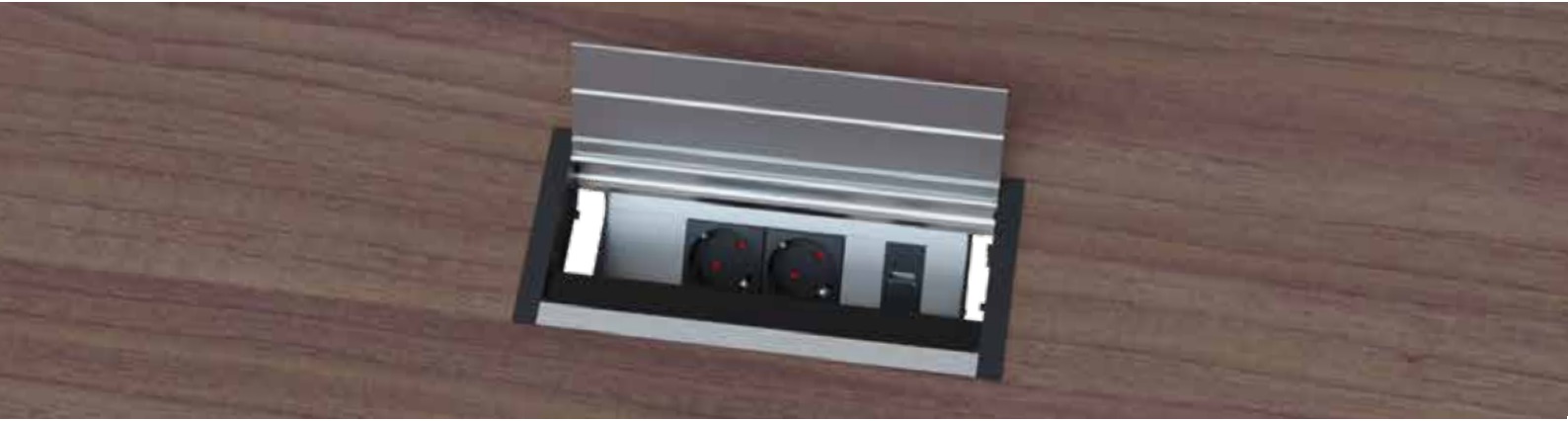


* a = net Aluminium allowance excluding side covers
a+26 = Total product size

	Modules	a	Cutting Size a+7
17200.0010.000	8+2 x22,5	225mm	232x55
17200.0010.000	10+2 x22,5	270mm	277x55
17200.0010.000	12+2 x22,5	315mm	322x55
17200.0010.000	14+2 x22,5	360mm	367x55

Flip Power Frame Product Overview

Flip Power Frame combines the functionality of a cable grommet with the flexibility of a modular power frame. It provides a clean and practical solution for desks, meeting rooms and conference tables.



2 Schuko Socket+ USB Charger
17300.1020.110



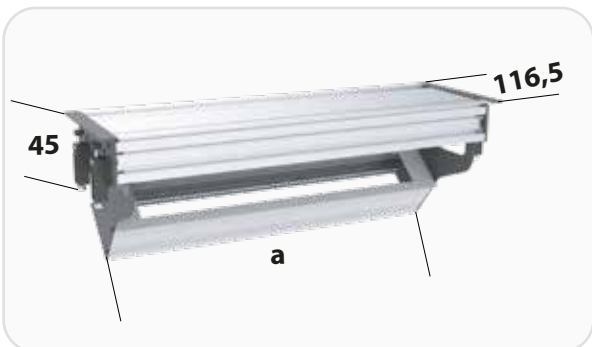
2 Schuko Socket + 1 Cat 6 + 1 Cat 3
17300.1020.8711.0



**2 Schuko Socket +2 Unischuko Socket
+1 Cat 6 + 1 Cat 3**
17300.1222.8711.0



**3 Schuko Socket +1 Universal Socket
+Double USB Charger**
17300.1631.210

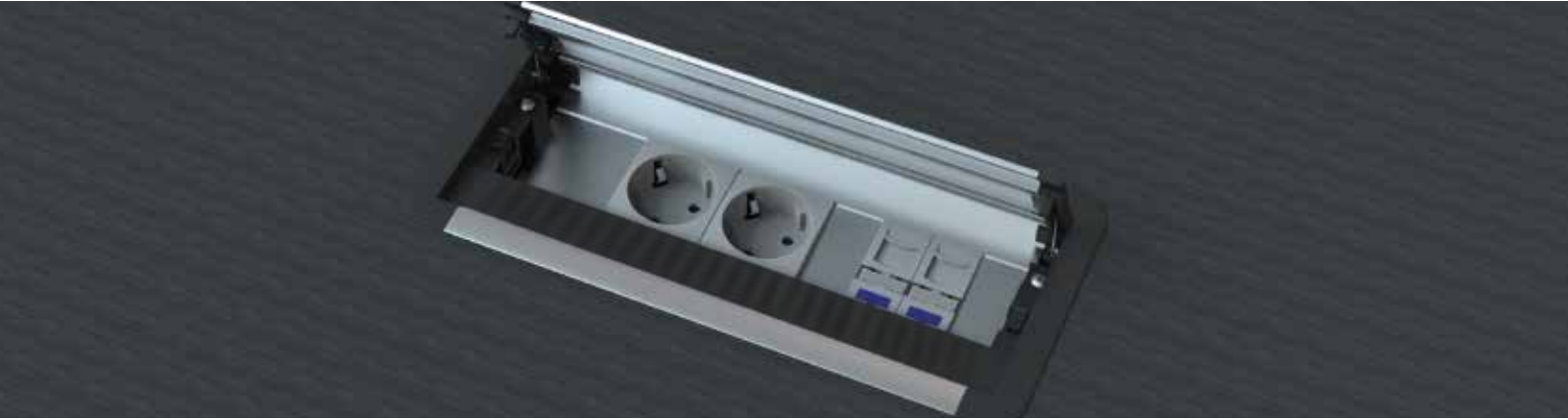


	Modules	a
17300.0010.000	8+2 x22,5	225mm
17300.0010.000	10+2 x22,5	270mm
17300.0010.000	12+2 x22,5	315mm
17300.0010.000	14+2 x22,5	360mm

* a = net Aluminium allowance excluding side covers
a+56 = Total product size

Push - Up Flip Power Frame - U100 Product Overview

A premium push-to-open socket system designed for modern workspaces, meeting rooms and executive desks. Its modular structure allows power, data and multimedia units to be configured according to project requirements, while the integrated brush cover enables cable access even when the unit is closed.



2 Schuko + 1 USB Charger
18011XP12M11



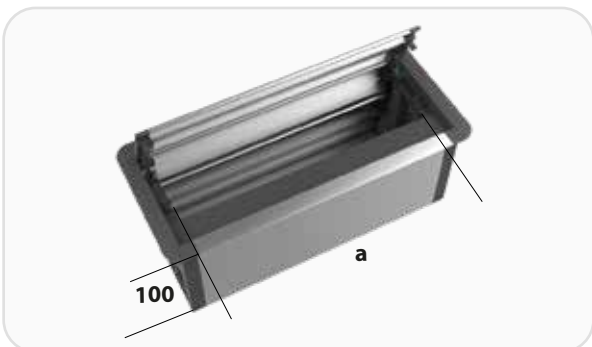
2 Schuko Socket + 1 Cat 6 + 1 Cat 3
18011XP2M81M71



**2 Schuko + 2 Unischuko + 1 Cat 6
+ 1 Cat 3**
18011XP12P22M81M71



**3 Schuko + 1 Universal Socket
+ 2 A/C USB Charger**
18011XP23P61M12



* a = net Aluminium allowance excluding side covers
a+49 = Total product size

	Modules	Cutting Size	a
18011X10	10 (2x22,5 Cover)	250x105	225mm
18011X12	12 (2x22,5 Cover)	295x105	270mm
18011X14	14 (2x22,5 Cover)	340x105	315mm
18011X16	16 (2x22,5 Cover)	385x105	360mm

X : 1 Anodized X : 3 Black X : 6 White

Push - Up Flip Power Frame - U70 Product Overview

A slim and elegant push-to-open socket system developed for workspaces where minimal design and easy access are essential. With its compact brushless structure and interchangeable modules, it offers a clean, flexible and practical solution for power, data and multimedia connections.



2 Schuko + 1 USB Charger
18077XP12M11



2 Schuko Socket + 1 Cat 6 + 1 Cat 3
18077XP2M81M71



**2 Schuko + 2 Unischuko + 1 Cat 6
+ 1 Cat 3**
18077XP12P22M81M71



**3 Schuko + 1 Universal Socket
+2 A/C USB Charger**
18077XP23P61M12



	Modules	Cutting Size	a
18077X10	10 (2x22,5 Cover)	250x105	225
18077X12	12 (2x22,5 Cover)	295x105	270
18077X14	14 (2x22,5 Cover)	340x105	315
18077X16	16 (2x22,5 Cover)	385x105	360

X : 1 Anodized X : 3 Black X : 6 White

* a = net Aluminium allowance excluding side covers
a+49 = Total product size

Horizontal Desk Socket Product Overview

The horizontal table socket offers you high functionality. With the sockets on the cover, it is different from the power frame. Also, it's compatible with modular 45mm sockets and covers.



4 Schuko Socket + 2 Cat 6
17400.1040.820



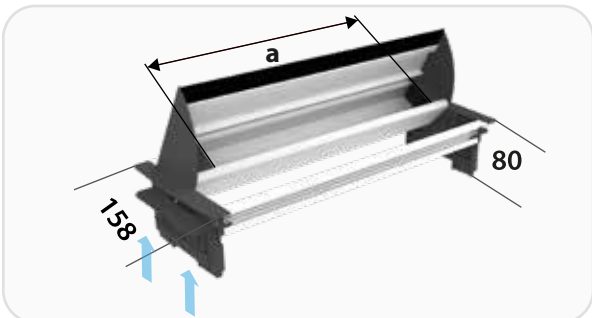
2 Schuko Socket + 2 Unischuko Socket
1 Cat 6 + 1 Cat 3
17400.1222.8711.0



2 Schuko Socket +4 Unischuko Socket
+4 Cat 6
17400.1224.842



3 Schuko Socket +3 Unischuko Socket
+4 Cat 6
17400.1233.840



a = Empty channel availability measure
a+70 = Product cutting measure
a+100 = Total product measure

	Modules	a	Cutting Size a + 35
17400.0010.000	8+2 x22,5	225mm	295x135
17400.0010.000	10+2 x22,5	270mm	340x135
17400.0010.000	12+2 x22,5	315mm	385x135
17400.0010.000	14+2 x22,5	360mm	430x135

G70 Power Strip Product Overview

You can use angled G type socket groups on work desks, under cabinets, kitchen shelves or under countertops. Its angled posture provides ease of use.



**2 Schuko Socket + 2 Unischuko Socket
+ 1 Cat 6 + 1 Cat 3**

17200.2030.8711.0



3 Unischuko Socket +1 Cat 6 + 1 Cat 3

17200.1020.110



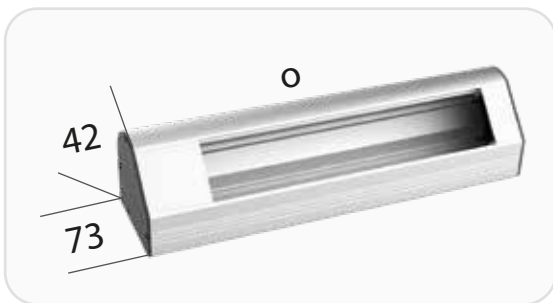
**3 Unischuko Socket + 1 Universal Socket
1 Cat 6 + 1 Cat 3**

17200.4020.1511.0



**3 Unischuko Socket + Double USB Charger
+ 1 Cat 6 + 1 Cat 3**

17200.1222.820.0



o = optional length



Table Thickness(a)

18 ≤ 35mm

Length (b)

56mm

740.050.030



Table Thickness(a)

35 ≤ 75mm

Length (b)

96mm

740.050.070

044 Power Strip Product Overview

The 044 Power Strip can be hidden inside the desk when not in use and lifted up easily by pressing the button. Its compact design fits standard 60 mm cut-outs and provides a stylish solution for small workspaces.



Improve your desk

You can hide inside the table when not in use. In this way it will not take up space in your desk



- With a modern look, fits perfectly in any setting.
- Installation is very simple.
- Suitable for standard 60 mm hole; ideal for tiny spaces.
- Modules can be assembled to customer's needs.



Cutting Size
(Ø)60mm

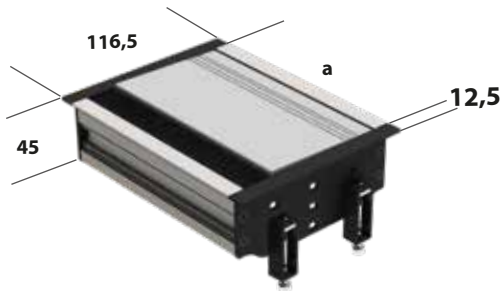
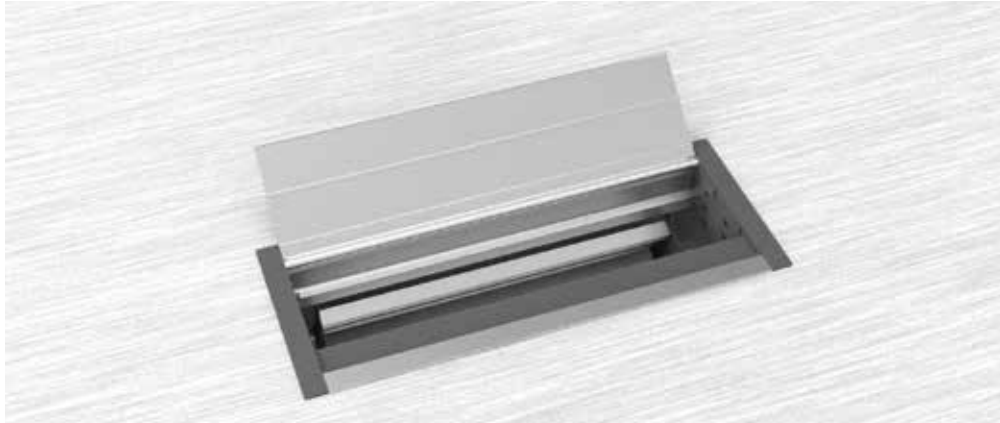
Table Thickness
0 - 50mm



11800.1020.210	2 Schuko Socket + Double USB Charger	232
11800.2020.210	2 Unischuko Socket + Double USB Charger	232
11800.1030.000	3 Schuko Socket	205
11800.2030.000	3 Unischuko Socket	205
11804.1020.210	2 Schuko Socket + Double USB Charger + SPD	307
11804.2020.210	2 Unischuko Socket + Double USB Charger	307
11804.1030.000	3 Schuko Socket + SPD	280
11804.2030.000	3 UPS + SPD	280

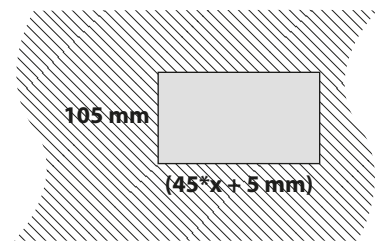
Cable Grommet Product Overview

It provides access to the cable trays under the table. With its minimal design, It helps keep the desktop clean and organized. It can be supplied in different lengths to suit various application areas.



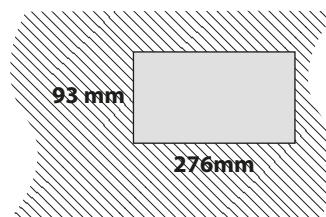
	a	Cutting Size
17100.0010.000	225mm	232x105
17100.0012.000	270mm	277x105
17100.0014.000	315mm	322x105
17100.0016.000	360mm	367x105

*a = Net Aluminium measurement excluding the caps
a+25 = Total product measurement



Multiple Embedded Sockets

Our product, which is embedded in the table, is ideal for charging multiple devices with USB Type-A and USB Type-C connection points. With its modern design, it gives an aesthetic look to your desk.



4 Schuko Socket+ Type A/C USB Charge
1750.1030.1211.1

Socket Boxes

Socket Boxes are mostly used in offices and working areas, where multiple connectors are needed. The boxes are mounted onto wiring trunking systems.



113x210mm Socket Boxes



113x210x70mm
210.0000.0000



4 Schuko Socket + 4 Unischuko Socket
210.1200.4400



2 Schuko Socket + Double MCB
212.1000.6000

210x280mm Socket Boxes



210x280x70mm
280.0000.0000



6 Schuko Socket + 6 Unischuko Socket
280.1200.6600



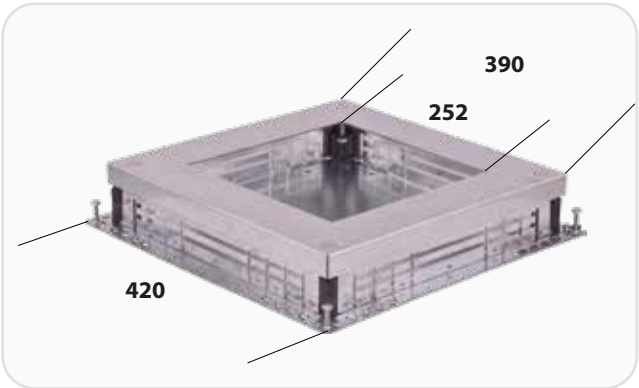
4 Schuko Socket+ 3 Unischuko Socket + 2 MCB
282.1200.6300

Underfloor Enclosure

With its modular socket structure, you can organize internet, socket and telephone connections.

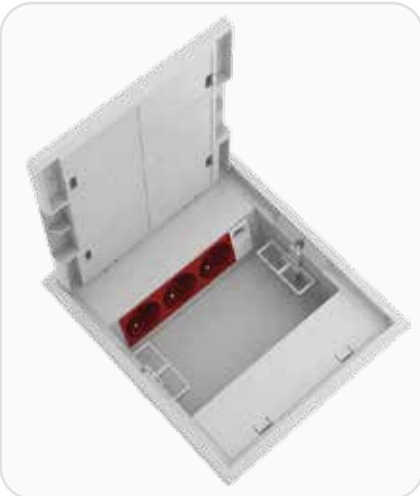


Underfloor Enclosure 390x390mm

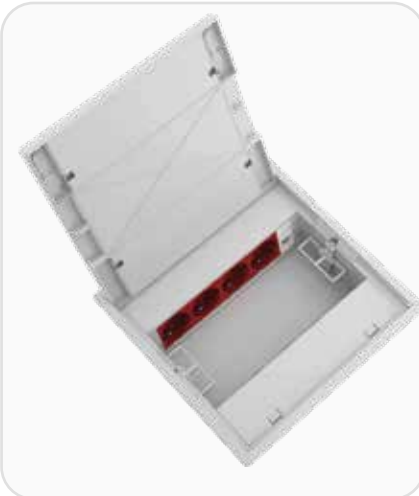


Underfloor Enclosure 310x310mm

Socket Boxes



Capacity 14 pcs 22.5 Module



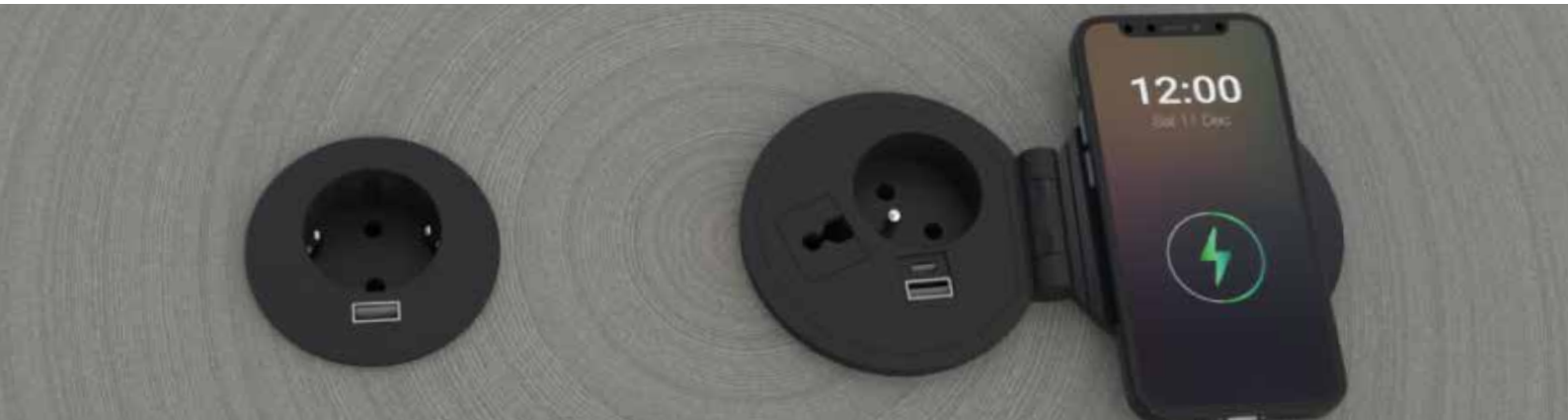
Capacity 18 pcs 22.5 Module



Capacity 24 pcs 22.5 Module

Embedded Sockets

Embedded sockets and USB inputs provide a minimalist design to the desktop while allowing users to charge their devices. It reduces the clutter caused by cables and ensures a neat appearance of the desk. These features make the desktop area more functional and aesthetic.



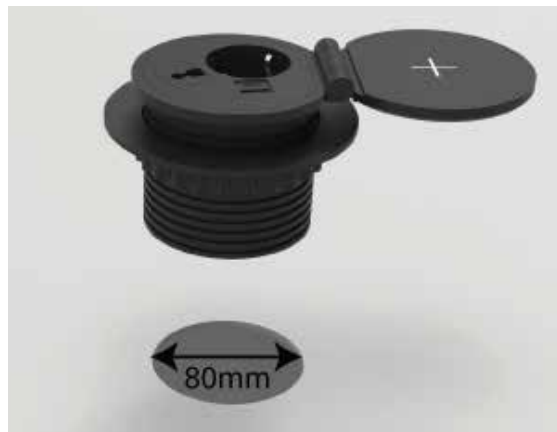
Embedded Sockets

With its space-saving design, you can charge your devices and make your desk minimal and stylish.



Single embedded socket with wireless charging cover.

With its wireless charging cover, you can charge both your wireless and different types of devices and make your desk minimal and stylish.



Wireless Chargers

Desktop Wireless Charging

It is specially designed for desktop use and provides a practical charging experience. You can easily charge your phone without dealing with complex cables.



Input: 5V-2A -9V-2A
Output: 15W/10W/7.5W/5W
Transmission Distance: Max. 8mm

715.200.141



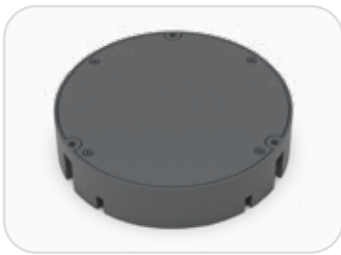
Input: 5V-2A 9V-2A
Output: 7.5W/10W/5W
Transmission Distance: Max. 8mm

715.200.13X



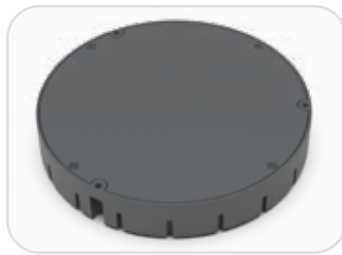
Under-Desk Wireless Charging

It is mounted under the desk, allowing you to keep your desk tidy while wirelessly charging your phone.



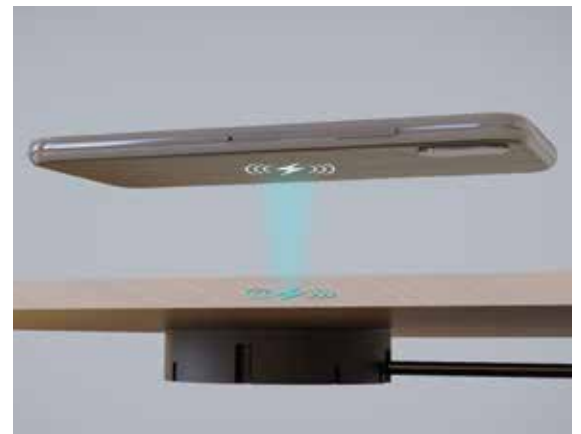
Input: 9V 2A
Wireless Charger Output: 15W / 10W
Transmission Distance: 14mm

715.200.161



Input: 24V 1,5A
Wireless Charger Output: 15W / 10W
Transmission Distance: 15-30mm

715.200.171



Desktop Wireless Charging

Our embedded wireless charging device is a preferred product in homes, offices, or meeting rooms due to its modern and stylish design. The device's embedded structure creates more space in your workspace while allowing you to easily charge your phones with its wireless charging feature.



Input: 5V-2A
USB Output: 5V 1.5-2A
Wireless Charger Output: 5V 1A

715.200.151



Pop-up Sockets

Our pop-up socket with network and French plugs and multiple USB ports is ideal for charging multiple devices. Its stylish design keeps your desk organized and can be hidden. Overload and overheating protection ensures safe use. Suitable for both home and office use.



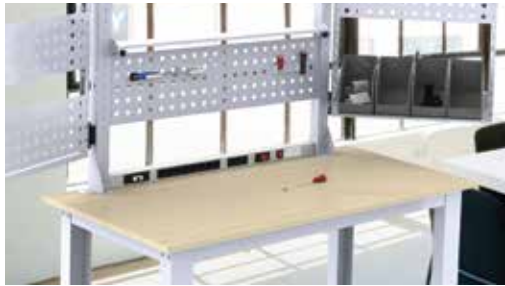
Pop-up Sockets

With its space-saving design, you can charge your devices and make your desk minimal and stylish.



Industrial Solutions

With solid aluminium housing, elegant design and a modular structure, TEM embedded socket systems offer flexible solutions for a wide range of applications. Different national socket standards, data modules, protection devices and multimedia connectors can be integrated according to customer requirements.



Embedded Sockets

- Every workplace requires reliable power access.
- TEM manufactures customized power solutions for its customers.
- With the 45mm mosaic components, different national sockets can be used.



Embedded Sockets

With the solid Aluminium housing, elegant design and modular structure, It presents solutions in every area



TU Lighting

With its modern and stylish appearance, it illuminates your offices and other areas of need. It consumes less energy with its economical structure. It can be produced together with sockets and other products upon your request.



— **Input:** 220 V with Driver
220 V without Driver
24 V without Driver

— **Assembly:** Hanger
Screw
Magnet



Standard

14005.10.3514.X1	35 cm 14 W 1 m Cable	220 V Without Driver
14005.10.5518.X1	55 cm 18 W 1 m Cable	220 V Without Driver
14005.20.3508.X1	35 cm 8,4 W 1 m Cable	220 V With Driver
14005.20.5514.X1	55 cm 14 W 1 m Cable	220 V With Driver
14005.40.3508.X1	35 cm 8,4 W 1 m Cable	24 V Without Driver
14005.40.5514.X1	55 cm 14 W 1 m Cable	24 V Without Driver

X = 0 without magnet
X = 1 with magnet



On - Off Switch

14005.11.3514.X1	35 cm 14 W 1 m Cable	220 V Without Driver
14005.11.5518.X1	55 cm 18 W 1 m Cable	220 V Without Driver
14005.21.3508.X1	35 cm 8,4 W 1 m Cable	220 V With Driver
14005.21.5514.X1	55 cm 14 W 1 m Cable	220 V With Driver
14005.41.3508.X1	35 cm 8,4 W 1 m Cable	24 V Without Driver
14005.41.5514.X1	55 cm 14 W 1 m Cable	24 V Without Driver

X = 0 without magnet
X = 1 with magnet



Touch On - Off Switch

14005.12.3514.X1	35 cm 14 W 1 m Cable	220 V Without Driver
14005.12.5518.X1	55 cm 18 W 1 m Cable	220 V Without Driver
14005.22.3508.X1	35 cm 8,4 W 1 m Cable	220 V With Driver
14005.22.5514.X1	55 cm 14 W 1 m Cable	220 V With Driver
14005.42.3508.X1	35 cm 8,4 W 1 m Cable	24 V Without Driver
14005.42.5514.X1	55 cm 14 W 1 m Cable	24 V Without Driver

X = 0 without magnet
X = 1 with magnet

TU Lighting



PIR Movement Sensor

14005.23.3508.X1	35 cm 8,4 W 1 m Cable	220 V With Driver	X = 0 without magnet X = 1 with magnet
14005.23.5514.X1	55 cm 14 W 1 m Cable		
14005.43.3508.X1	35 cm 8,4 W 1 m Cable	24 V Without Driver	
14005.43.5514.X1	55 cm 14 W 1 m Cable		



Door Sensor

14005.24.3508.X1	35 cm 8,4 W 1 m Cable	220 V With Driver	X = 0 without magnet X = 1 with magnet
14005.24.5514.X1	55 cm 14 W 1 m Cable		
14005.44.3508.X1	35 cm 8,4 W 1 m Cable	24 V Without Driver	
14005.44.5514.X1	55 cm 14 W 1 m Cable		



3 Phase Dimmer

14005.25.3508.X1	35 cm 8,4 W 1 m Cable	220 V With Driver	X = 0 without magnet X = 1 with magnet
14005.25.5514.X1	55 cm 14 W 1 m Cable		
14005.45.3508.X1	35 cm 8,4 W 1 m Cable	24 V Without Driver	
14005.45.5514.X1	55 cm 14 W 1 m Cable		



IR Movement Sensor

14005.26.3508.X1	35 cm 8,4 W 1 m Cable	220 V With Driver	X = 0 without magnet X = 1 with magnet
14005.26.5514.X1	55 cm 14 W 1 m Cable		
14005.46.3508.X1	35 cm 8,4 W 1 m Cable	24 V Without Driver	
14005.46.5514.X1	55 cm 14 W 1 m Cable		

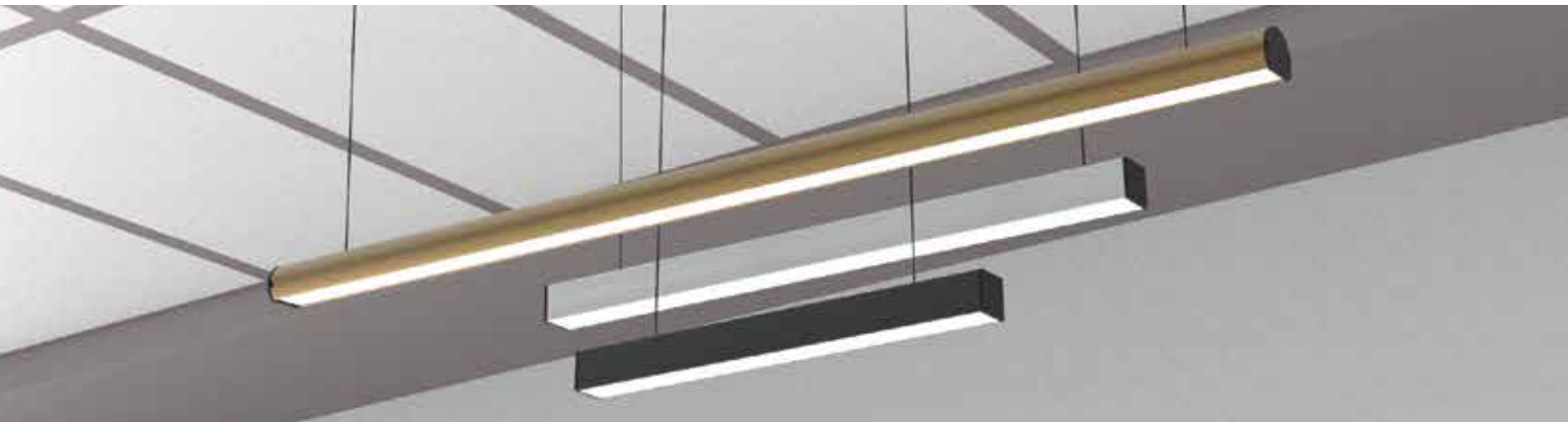


U20 Lighting

1200.27.3505.X1	220 V 1 m Cable + 35 cm 5 W	220 V	X = 0 without magnet X = 1 with magnet
1200.27.4106.X1	220 V 1 m Cable + 41 cm 6 W		
1200.27.5210.X1	220 V 1 m Cable + 52 cm 10 W		
1200.28.2004.X1	24 V 1 m Cable + 20 cm 4,3 W	24 V	X = 0 without magnet X = 1 with magnet
1200.28.3004.X1	24 V 1 m Cable + 30 cm 4,3 W		
1200.29.5007.X1	24 V 1 m Cable + 50 cm 7,2 W		
1200.29.10014.X1	24 V 1 m Cable + 100 cm 14,1 W		

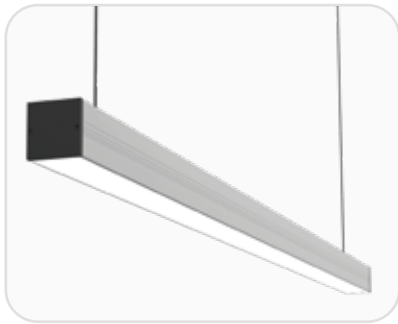
Linear Lighting

If you are looking for an economical and decorative solution in your offices and waiting rooms, Linear Lighting offers an economical and decorative lighting solution for offices, waiting rooms and commercial interiors.



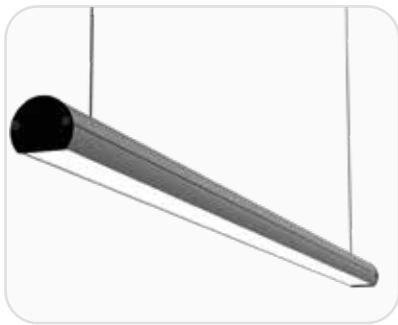
— **Input:** 220 V with Driver
220 V without Driver
24 V without Driver

— **Assembly:** Hanger
Screw
Magnet



Type 1U

140025.20.6016	60 cm 16,8 W	220 V With Driver
140025.20.9025	90 cm 25,2 W	
140025.20.12033	120 cm 33,6 W	
140025.20.15042	150 cm 42 W	
140025.40.6016	60 cm 16,8 W	24 V
140025.40.9025	90 cm 25,2 W	
140025.40.12033	120 cm 33,6 W	
140025.40.15042	150 cm 42 W	



Type C

140425.20.6016	60 cm 16,8 W	220 V With Driver
140425.20.9025	90 cm 25,2 W	
140425.20.12033	120 cm 33,6 W	
140425.20.15042	150 cm 42 W	
140425.40.6016	60 cm 16,8 W	24 V
140425.40.9025	90 cm 25,2 W	
140425.40.12033	120 cm 33,6 W	
140425.40.15042	150 cm 42 W	

Socket Lighting

It meets customer demands with its modular structure. Electrical sockets, data phone connectors and USB chargers can be installed.



— **Input:** 220 V with Driver
 24 V without Driver

— **Assembly:** Screw
 Magnet



Type 1U

14005.1013.1020.X0	2 Schuko Socket + 13 cm LED	220 V Without Driver
14005.1013.2020.X0	2 Unischuko Socket + 13 cm LED	
14005.1030.1020.X0	2 Schuko Socket + 30 cm LED	220 V With Driver
14005.1030.2020.X0	2 Unischuko Socket + 30 cm LED	
14005.2030.1020.X0	2 Schuko Socket + 30 cm LED	220 V With Driver
14005.2030.2020.X0	2 Unischuko Socket + 30 cm LED	

X = 0 without magnet
 X = 1 with magnet

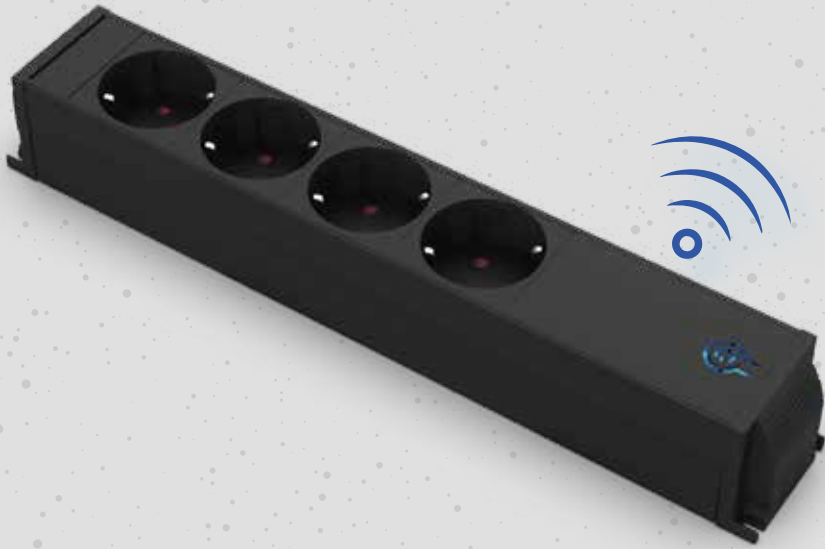


Type G70

17005.1030.1020.0	2 Schuko Socket + 30 cm LED	220 V Without Driver
17005.1030.1040.0	4 Schuko Socket + 30 cm LED	
17005.1050.1020.0	2 Schuko Socket + 50 cm LED	
17005.1050.1040.0	4 Schuko Socket + 50 cm LED	
17005.2030.1020.0	2 Schuko Socket + 30 cm LED	220 V With Driver
17005.2030.1040.0	4 Schuko Socket + 30 cm LED	
17005.2050.1020.0	2 Schuko Socket + 50 cm LED	
17005.2050.1040.0	4 Schuko Socket + 50 cm LED	

Wi-Fi Smart Sockets

You can control your outlets via Wi-Fi whether you're at home or away. Save energy and enhance security with our Wi-Fi outlets that can be integrated into our smart home system



- Wireless & Bluetooth Connection
- Connectivity with Tuya and Smartlife Applications (IOS / Android)
- Security: Baby-Child Protection
- Voice Control: Amazon Alexa / Google Home
- Adjustable Timer
- Device Sharing
- Power Consumption (V, A, kW/h)



2 Schuko Socket + 2 Schuko Socket with Wi-Fi Control

1620.1200.11101



3 Schuko Socket + USB Charger + Wi-Fi Control

1620.1200.1182101



4 Schuko Socket + Wi-Fi Control

1620.1300.11101

USB Chargers

Our USB chargers, integrated into electrical sockets, provide safe and fast charging for your devices. Designed to meet modern demands with high quality and compact design, they ensure your devices are always ready for use.



Type A - 10,5W 22,5x45x45mm
622.101.010A1B



Type A/C - 10,5W 22,5x45x41mm
622.000.010.A1C1B



Type A - 10,5W 22,5x45x37mm
622.001.010.A1B



Type A/A - 10,5W 22,5x45x37mm
622.000.010.A2B



Type A/C - 10,5W 45x45x37mm
645.010.010A1C1B



Type A/C - 20W 22,5x45x41mm
622.000.020.A1C1B



Type A/A - 10,5W 45x45x37mm
645.010.010.A2B



Type A/C - 30W 45x45x43mm
645.001.030.A1C1B

Protection Devices

Our surge protection devices shield your electronics from voltage spikes, ensuring reliable performance and extended lifespan. Designed for modern systems, they provide essential protection and peace of mind.

0120 Type 3 SPD

U_c : 255V - 50-60 Hz
 U_{oc} : 5/10 kV
 I_n : 2,5/5 kA
 U_p : $\leq 1,5$ kV



22.5x45mm - SPD 0120
 734.612.0120.0 - 734.612.0120.1



45x45mm - SPD 0120
 734.613.0120.0 - 734.613.0120.1

1119 Type 3 SPD

U_c : 255V - 50-60 Hz
 U_{oc} : 5 kV
 I_n : 3 kA
 U_p : ≤ 2 kV



45x45mm SPD 1119
 734.613.1119.0 - 734.613.1119.1

1119 Type 3 SPD with Filter

U_c : 255V - 50-60 Hz
 U_{oc} : 5 kV
 I_n : 3 kA
 U_p : ≤ 2 kV



45x45mm - 1119-N
 734.613.1119.0N - 734.613.1119.1N

Current Protection

Current Rating: 16A
Voltage Value: 125/250 V AC
Ins. Resistance: >100MOHM (DC 500V)
Degree of Protection: IP40



22.5x45mm Current Protection with Button
 723.225.016



22.5x45mm Current Protection with Switch
 723.225.116

Multimedia Sockets

45x45mm TV Connectors



TV Socket
723.000.150



TV Socket Male \varnothing 9.52mm
723.000.300



TV Receiver Socket
723.000.400

VGA Connectors



6+2 Terminal Input
22.5x45mm - Faceplate
715.300.001



14+2 Terminal Input 22.5x45mm
Fast Mount - Faceplate
715.300.002



Socket Input
45x45mm - Faceplate
715.300.003



Socket Input
22.5x45mm - Faceplate
715.300.004



15 Terminal Input
22.5x45mm - Faceplate
715.300.005



9 Pins
22.5x45mm Faceplate
715.300.007



B Socket Input
45x45mm - Faceplate
715.300.009

RCA & STEREO Connectors



RCA Connector 22.5x45mm
Terminal - Faceplate
715.500.002



RCA Connector 22.5x45mm
Terminal - Faceplate
715.500.001



Stereo Connector 22.5x45mm
Terminal - Faceplate
715.600.001

Multimedia Sockets

HDMI Connectors



**TYPE A Female - Female 90°
22.5x45mm - Faceplate**
715.400.001



**TYPE A Female - Female 180°
22.5x45mm - Faceplate**
715.400.002



**Type A Female - Female Top
Input - Output 22.5x45mm**
715.400.003



**Type A Female Female
Cable Keystone**
715.400.005

HDMI Connectors



**HDMI Connector Type A
Female-Female 45x45mm**
715.400.008



**Display Port Connector Socket
Input 45x45mm - Faceplate**
715.700.001



**XLR Female Socket
45x45mm Terminal - Faceplate**
715.600.002

Display Connectors

XLR Connectors

USB Connectors



**Standard A USB AF/AF 90°
22.5x45mm - Faceplate**
715.200.004



**Standard A USB AF/AF 180°
22.5x45mm - Faceplate**
715.200.005



**Standard A Terminal
22.5x45mm - Faceplate**
715.200.006

USB Connectors



**Standard B Female - Female
Keystone**
715.200.001



**Standard A Female - Female
Keystone**
715.200.002



**Standard A Female -
Female Cable Keystone**
715.200.003



**TYPE A Female Female
Keystone**
715.400.004

Multimedia Sockets

Underfloor / Gap Faceplates



50x50mm - Single
708.100.010



50x50mm - Double
708.100.020

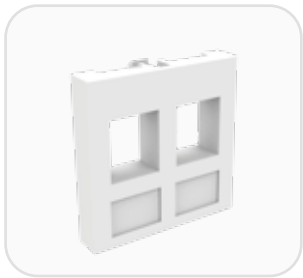


45x45mm
709.100.103



22.5x45mm
709.100.104

Telephone - Data Faceplates



45x45mm without Cover
710.100.107



22.5x45mm without Cover
710.100.111



45x45mm without Cover
710.100.106

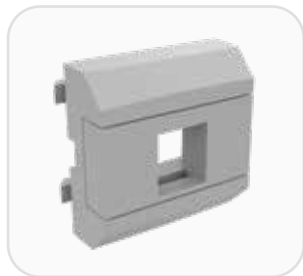


22.5x45mm Flat Cover
709.200.104

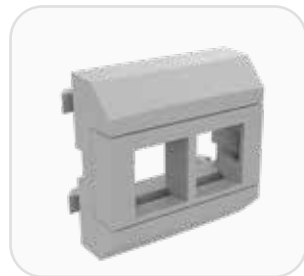
45x45mm Keystone Faceplates



Lift-up Faceplate
710.100.108



Keystone - Faceplate - Single
710.100.109



Keystone - Faceplate - Double
710.100.110

Fiber Optic Keystone



Fiber Optic Keystone
715.800.001



Fiber Optic Keystone
715.800.002



Fiber Optic Keystone
715.800.003

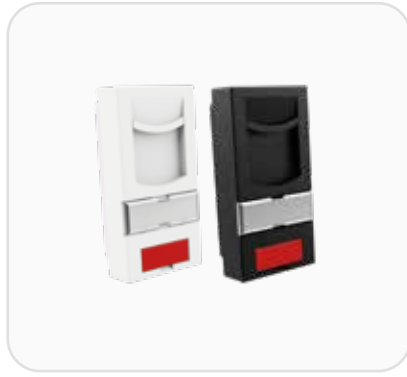
Multimedia Sockets

Cable Trunking Telephone Data Covers



45x45mm with String and Cover

710.100.103



22x45mm with String Cover

710.100.104



45x45mm with String and Cover

710.100.105

Female - Female Telephone - Data Connectors



Cat 3 TELEPHONE

715.100.030



CAT5E DATA

715.100.050



Cat 6 DATA

715.100.060



CAT6 Keystone Jack Rotary

715.100.060AMP



Cat 3 TELEPHONE

715.200.030



CAT5E DATA

715.200.050



Cat 6 DATA

715.200.060



Cat 6A DATA

715.200.061

Telephone Data Plugs



CAT5 DATA Plug

710.100.350



Cat 6 DATA Plug

710.100.360



Telephone Plug 2-4-6 PINS

715.100.33X

On - Off Switches



Single Switch 16A 45x45mm
722.045.012 - 722.045.112



Double Switch 2x10A 45x45mm
722.045.011 - 722.045.111



Switch 10A 22.5x45mm
722.225.010 - 722.225.110



Switch 16A 22.5x45mm with Light
722.225.021



Double Switch 2x16A 45x45mm without Light
722.045.022



Switch 16A 22.5x45mm with Light
722.225.112



Double Switch 2x16A 45x45mm with Light
722.045.122

Modular Sockets

Computer IEC Sockets



IEC C13 10A Toolless Socket
720.130.150



IEC C13 10A Screwed Socket
720.130.160



IEC C13 10A Movable Socket
720.130.200



IEC C14 10A Toolless Plug
720.140.320



IEC C14 10A Screwed Plug
720.140.340



IEC C14 10A Movable Plug
720.140.300



IEC C14 10A Plug
720.140.321



IEC C19 16A Toolless Socket
720.190.150



IEC C19 16A Screwed Socket
720.190.160



IEC C19 16A Movable Socket
720.190.200



IEC C20 16A Toolless Plug
720.200.320



IEC C20 16A Screwed Plug
720.240.340



IEC C20 16A Movable Plug
720.200.300



IEC C20 16A Plug
720.200.321

Modular Sockets

Single Terminal Sockets



Toolless Single Terminal Schuko Socket 45°

252.311.120.001



Toolless Single Terminal UPS Socket 45°

252.321.120.001



Toolless Single Terminal Schuko Socket

252.311.110.001



Toolless Single Terminal UPS Socket

252.321.110.001

Double Terminal Sockets



Toolless Double Terminal Schuko Socket 45°

252.311.220.001



Toolless Double Terminal UPS Socket 45°

252.321.220.001



Toolless Double Terminal Schuko Socket

252.311.210.001



Toolless Double Terminal UPS Socket

252.321.210.001

Sided Toolless Double Terminal Sockets



Sided Toolless Double Terminal Schuko Socket 45°

252.312.220.101



Sided Toolless Double Terminal UPS Socket 45°

252.322.220.101



Sided Toolless Double Terminal with Cover Schuko Socket

252.312.210.001



Sided Toolless Double Terminal with Cover UPS Socket

252.322.210.001



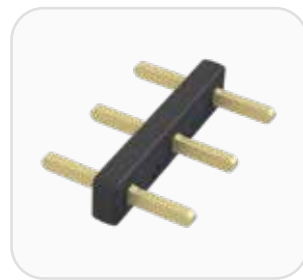
Screwed Schuko Socket 45°

252.310.120.001



Screwed UPS Socket 45°

252.320.120.001



Socket Mounting Tool

740.061.002

Modular Sockets

Universal Plugs & Sockets



45x45mm Universal Socket

253.611.101



45x45mm USA Socket

253.711.101



45x45mm British Socket

253.811.101



51x45mm British Socket

253.411.101



British Plug

721.130.300

Toolless Single Terminal French Sockets



Toolless Single Terminal French Socket 45°

252.351.110.001

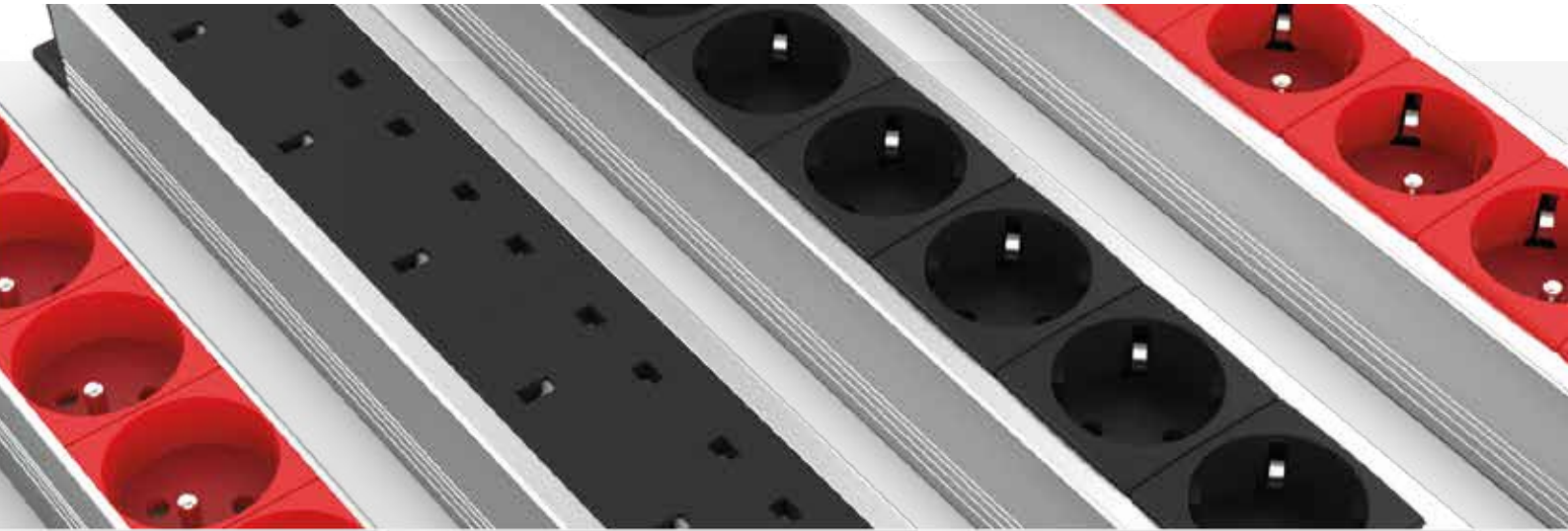


Toolless Single Terminal French Socket

252.351.120.001

45mm Sockets Types

With its modular socket structure, you can organize internet, socket and telephone connections.



- With the modularity of our products, you can design personal strips.
- TEM multiple socket modules feature a busbar system, eliminating the need for cable connections between identical modules.
- There is the option of the sockets to have cable terminal on one or both sides.



Schuko Sockets



Unischuko Sockets



French Sockets



British Sockets



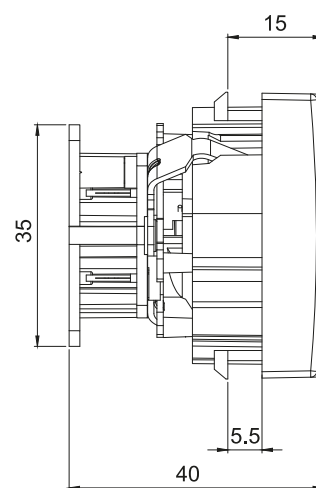
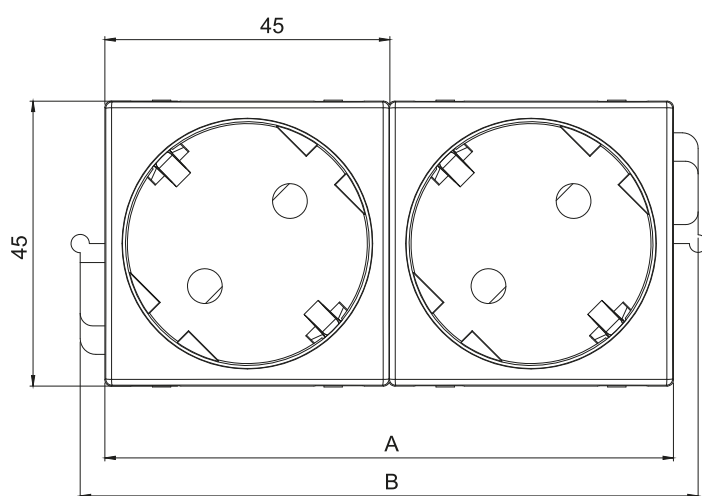
IEC Sockets



Schuko Socket Type-F

200-250V / 16A / 2P+ 



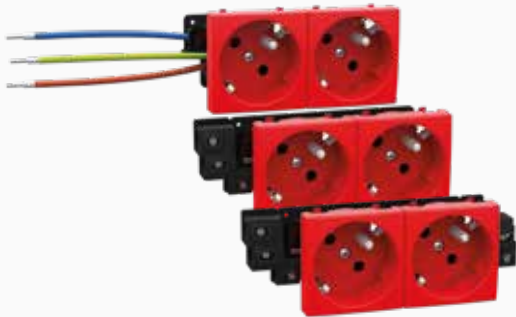
- Schuko Socket with Cable
- Schuko Socket with Terminal
- Schuko Socket with Double Terminal



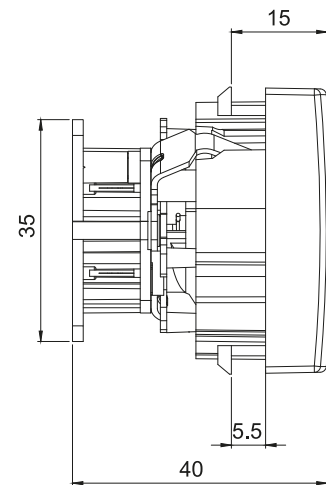
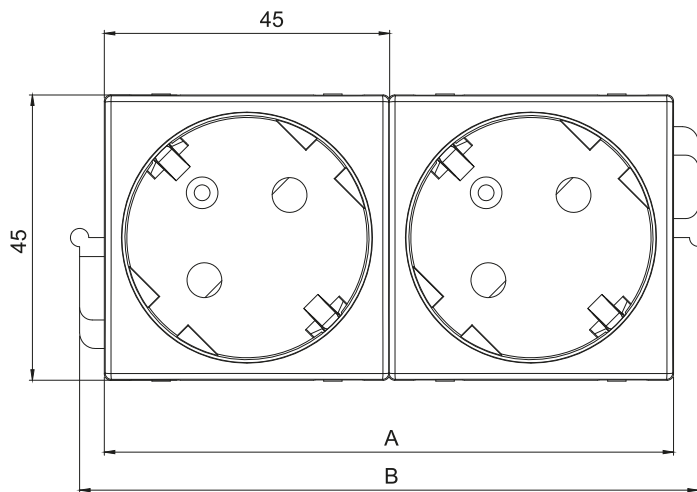
	With Cable	Product Code	With Child Protection	A	B		
	2 Schuko Socket	262.31.132.002	262.31.132.012	90	97,5	20	61
	3 Schuko Socket	262.31.132.003	262.31.132.013	90	113,7	20	68
	4 Schuko Socket	262.31.132.004	262.31.132.014	90	128,9	20	81
	With Terminal						
	2 Schuko Socket	262.31.112.002	262.31.112.012	135	142,5	15	93
	3 Schuko Socket	262.31.112.003	262.31.112.013	135	157,7	15	97
	4 Schuko Socket	262.31.112.004	262.31.112.014	135	172,9	15	109
	With Double Terminal						
	2 Schuko Socket	262.31.122.002	262.31.122.012	180	187	14	119
	3 Schuko Socket	262.31.122.003	262.31.122.013	180	202,2	14	127
	4 Schuko Socket	262.31.122.004	262.31.122.014	180	217,4	10	139



Unischuko Socket

200-250V / 16A / 2P+ 



- Unischuko Socket with Cable
- Unischuko Socket with Terminal
- Unischuko Socket with Double Terminal






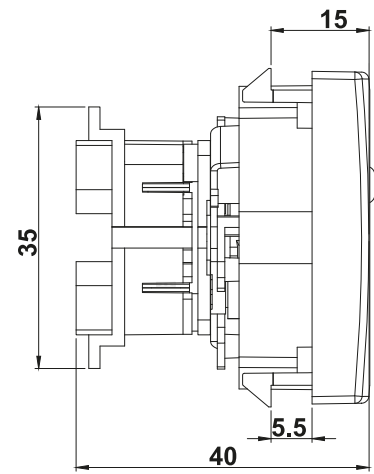
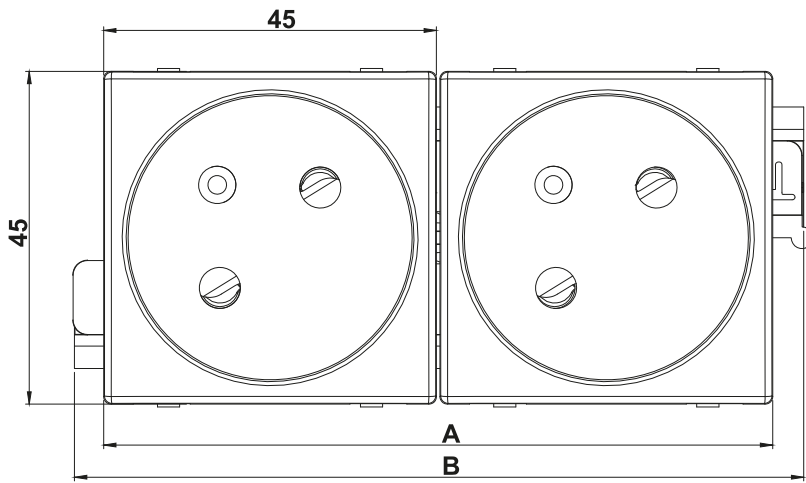
	Product Code	With Child Protection	A	B		
With Cable						
2 Unischuko Socket	262.32.132.002	262.32.132.012	90	97,5	20	68
3 Unischuko Socket	262.32.132.003	262.32.132.013	90	113,7	20	75
4 Unischuko Socket	262.32.132.004	262.32.132.014	90	128,9	20	87
With Terminal						
2 Unischuko Socket	262.32.112.002	262.32.112.012	135	142,5	15	100
3 Unischuko Socket	262.32.112.003	262.32.112.013	135	157,7	15	107
4 Unischuko Socket	262.32.112.004	262.32.112.014	135	172,9	15	119
With Double Terminal						
2 Unischuko Socket	262.32.122.002	262.32.122.012	180	187	14	131
3 Unischuko Socket	262.32.122.003	262.32.122.013	180	202,2	14	138
4 Unischuko Socket	262.32.122.004	262.32.122.014	180	217,4	10	150



French Socket Type-E

200-250V / 16A / 2P+ 



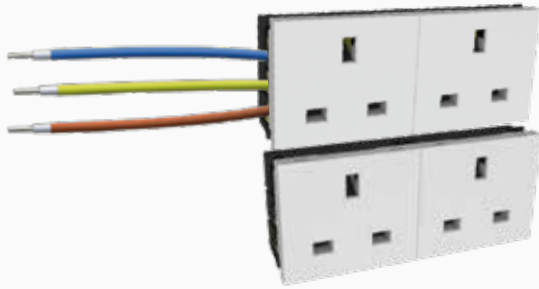
-  French Socket with Cable
-  French Socket with Terminal
-  French Socket with Double Terminal



	Product Code	A	B		
With Cable					
2 French Socket	262.35.132.002	90	97,5	20	65
3 French Socket	262.35.132.003	90	113,7	20	72
4 French Socket	262.35.132.004	90	128,9	20	81
With Terminal					
2 French Socket	262.35.112.002	135	142,5	15	95
3 French Socket	262.35.112.003	135	157,7	15	102
4 French Socket	262.35.112.004	135	172,9	15	114
With Double Terminal					
2 French Socket	262.35.122.002	180	187	14	125
3 French Socket	262.35.122.003	180	202,2	14	133
4 French Socket	262.35.122.004	180	217,4	10	144

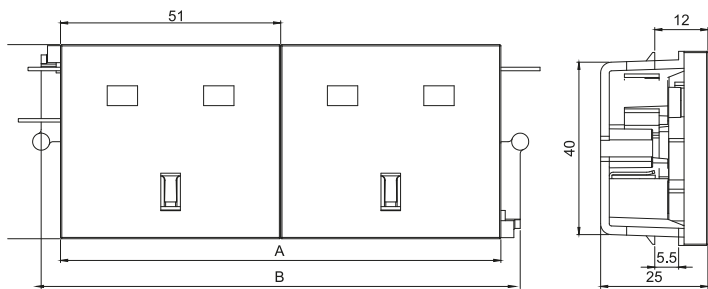
British Socket Type-G

200-250V / 13A / 2P+ ⚡



— British Socket with Cable

— British Socket with Double Terminal



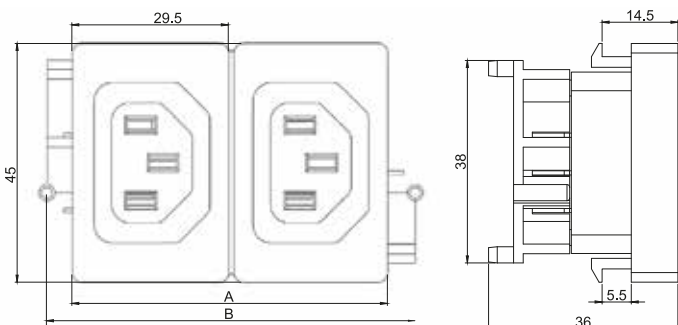
With Cable	Product Code	A	B		
2 British Socket	262.38.131.002	90	111	30	60
3 British Socket	262.38.131.003	135	161	30	90
4 British Socket	262.38.131.004	180	211	30	115
With Double Terminal	Product Code	A	B		
2 British Socket	262.38.121.002	90	111	30	60
3 British Socket	262.38.121.003	135	161	30	90
4 British Socket	262.38.121.004	180	211	30	115

IEC C13 Socket

200-250V / 10A / 2P+ ⚡



— C13 Socket with Cable



With Cable	Product Code	A	B		
2 C13 Socket	262.33.131.002	60	70	30	59
3 C13 Socket	262.33.131.003	90,5	101	30	82
4 C13 Socket	262.33.131.004	121	132	30	108,4



TEM

www.temteknik.com

TEM Teknik Elektrik Malzemeleri San ve Tic A.Ş

Headquarter:

Ortaköy San. M.Menekse No:5 34582
Silivri / İstanbul / TÜRKİYE

Plant Malkara:

Çavuşköy Ergenekon No:11 59300
Malkara / Tekirdağ / TÜRKİYE

+90 212 485 19 00

info@temteknik.com
export@temteknik.com